

TECHNICAL DATA SHEET



LPI[®] STORMMASTER ESE



- Fully Tested Air Terminals in Compliance to NF C 17-102 (2011)
- Family of Stainless Steel Air Terminals
- Easy to Install
- All Stormmaster Terminals Tested by the ITE HV Laboratory in Europe, which has National (ENAC, UNE) and International (ILAC / ISO / IEC) Accreditation
- Cost Effective Lightning Protection

- Free Lightning Protection Designs & Risk Assessments Available on Request
- For Connection to HVSC Plus or 2 Inch GI Pipe
- See Page 2 For Market-Leading Advantages



TECHNICAL DATA SHEET

Market-Leading Advantages

LPI's fully-accredited and approved family of Stormaster early streamer emission (ESE) air terminals have the following key characteristics:

- First company to introduce an optimised lightning coupling design using four independent panels;
- Extensive field experience with more than 50,000 installations over 15+ years in more than 75 countries around the world;
- Air terminal family designed to meet all aspects of NF C 17-102 (2011), including the detailed time advance testing criteria and correct test sequencing per the standard;
- Additional testing and certification to IEC 62561-2;
- All testing performed in ENAC and ILAC-accredited high-voltage laboratories;
- Proven technology based on international research findings, modelling and field testing.



TECHNICAL DATA SHEET

LPI® STORMASTER ESE

Protection Performance

The protection radius (Rp) of a Stormaster ESE terminal is calculated using the formula defined by the French National Standard NF C 17-102 (September 2011), namely:

(1) $Rp[h] = \sqrt{2rh - h^2 + \Delta[2r + \Delta]}$ for $h \geq 5\text{ m}$
and

(2) $Rp = h \times Rp_5 / 5$ for $2 \leq h < 5\text{ m}$

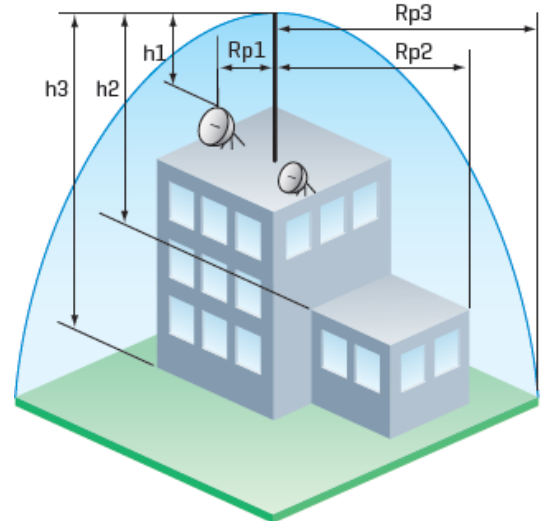
Where **h** = actual height of Stormaster terminal above the area to be protected (m).

Rp5 = value of Rp from Eqn. [1] when h = 5 m

- r** = 20 m for protection level I [Very High protection]
- 30 m for protection level II [High protection]
- 45 m for protection level III [Medium protection]
- 60 m for protection level IV [Standard protection]

Δ = Stormaster time and height advantage according to the Stormaster model installed:

- Stormaster-ESE-15: Δ = 15 μs
- Stormaster-ESE-30: Δ = 30 μs
- Stormaster-ESE-50: Δ = 50 μs
- Stormaster-ESE-60: Δ = 60 μs



NOTE: See the following LPI publications for additional information on the Stormaster range and the NF C 17-102 (2011) Standard (available on request):

- Technical Paper - ESE HV Test Requirements
- Technical Paper – French Standard NF C 17-102 (2011)
- Stormaster Catalogue
- Stormaster Installation Manual

PROTECTION RADIUS, Rp (m)											
h = height of Stormaster ESE terminal above the area to be protected (m)	2	4	5	6	10	15	20	45	60	80	100
Protection Level I (Very High)											
Stormaster ESE 15	13	25	32	32	34	35	35	35	35	35	35
Stormaster ESE 30	19	38	48	48	49	50	50	50	50	50	50
Stormaster ESE 50	27	55	68	69	69	70	70	70	70	70	70
Stormaster ESE 60	31	63	79	79	79	80	80	80	80	80	80
Protection Level II (High)											
Stormaster ESE 15	15	30	37	38	40	42	44	44	44	44	44
Stormaster ESE 30	22	44	55	55	57	58	59	59	59	59	59
Stormaster ESE 50	30	61	76	76	77	79	79	79	79	79	79
Stormaster ESE 60	35	69	86	87	88	89	89	89	89	89	89
Protection Level III (Medium)											
Stormaster ESE 15	18	36	45	46	49	52	55	60	60	60	60
Stormaster ESE 30	25	51	63	64	66	69	71	75	75	75	75
Stormaster ESE 50	35	69	86	87	88	90	92	95	95	95	95
Stormaster ESE 60	39	78	97	97	99	101	102	105	105	105	105
Protection Level IV (Standard)											
Stormaster ESE 15	20	41	51	52	56	60	63	73	75	75	75
Stormaster ESE 30	29	57	71	72	75	78	81	89	90	90	90
Stormaster ESE 50	38	76	95	96	98	100	102	109	110	110	110
Stormaster ESE 60	43	85	107	107	109	111	113	119	120	120	120

Contact LPI for Protection Radius for Level I+ and Level I++

TECHNICAL DATA SHEET

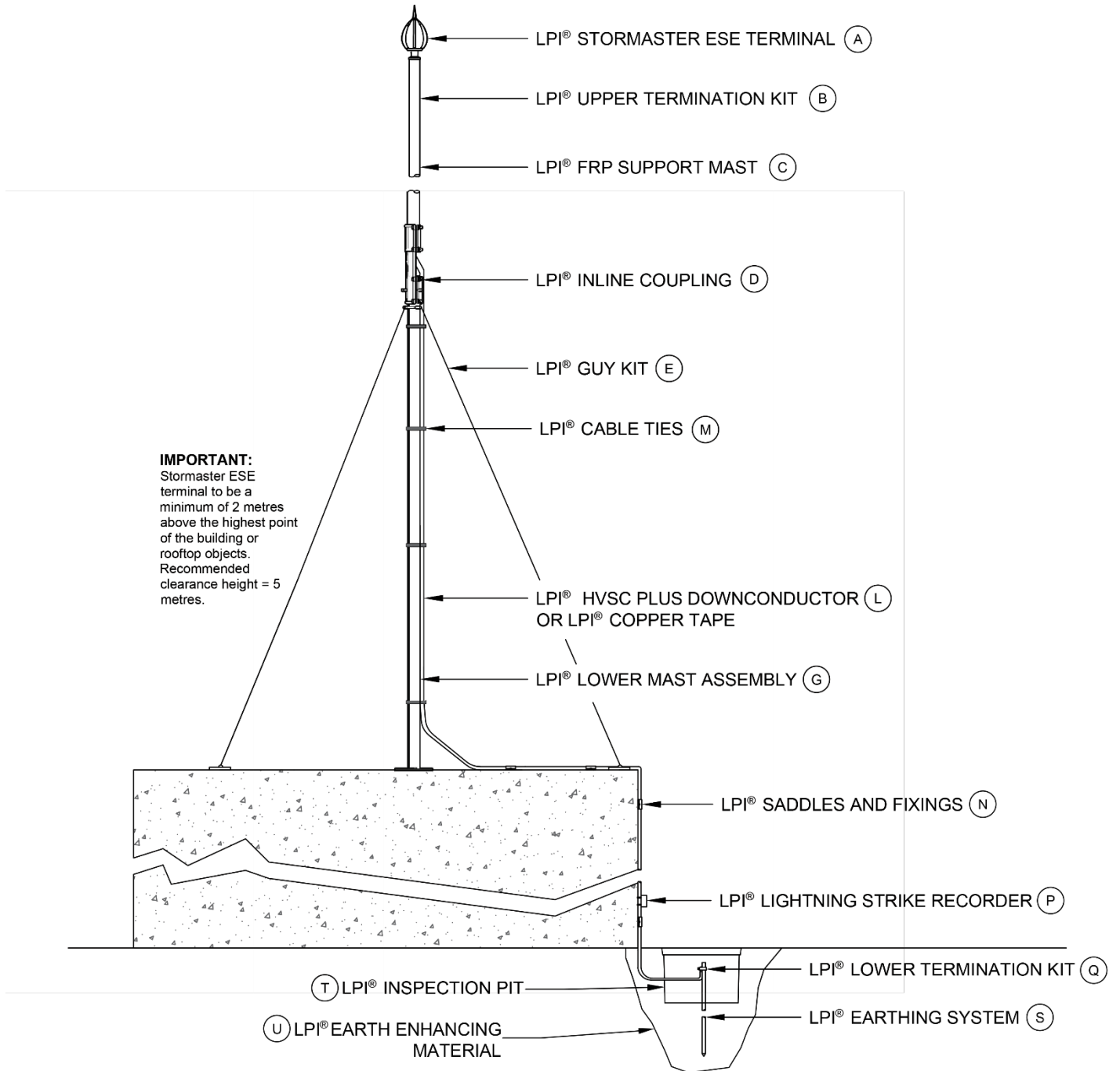
LPI® Product Range

LPI® STORMASTER ESE	1
Market-Leading Advantages	2
Protection Performance	3
LPI® Product Range	4
Installation Type 1	5
Installation Type 2	6
Installation Type 3	7
Installation Type 4	8
Installation Type 5	9
Installation Type 6	10
Installation Type 7	11
Section A - LPI® Stormaster ESE Terminals	12
LPI® Stormaster ESE Terminals	13
Standard Adaptor	13
GI Adaptor	13
Stormaster ESE Tester	13
Section B - LPI® Upper Termination Kit	14
Section C - LPI® FRP Support Mast	14
Section D - LPI® Inline Coupling	15
Section E - LPI® Guy Kit	15
Section F - LPI® Guy Ring	16
Section G - LPI® Lower Mast Assembly	16
Section H - LPI® Cantilevering Saddles	17
Section I - LPI® U-Bolt	17
Section J - LPI® Mounting Bracket	17
Section K - LPI® Cable Sock	17
Section L – Downconductors	18
LPI® High Voltage Shielded Cable	18
LPI® Aluminium Tape	20
LPI® Stranded and Smooth Weave Copper Conductors	20
Section M - LPI® Cable Ties	20
Section N - LPI® Saddles and Fixings	21
LPI® Saddles	21
LPI® D.C Tape Clip	21
LPI® Square Tape Clamp	22
LPI® Oblong Test Clamp	22
Section O - LPI® Beam Clamp and Cable Support	22
Section P - LPI® Lightning Strike Recorder	23
LPI® Lightning Strike Recorder Tester	23
Section Q - LPI® Lower Termination Kit	24
Section R - LPI® Denso Tape	24
Section S - LPI® Earthing System	25
LPI® Copper Bonded Earth Rods	25
LPI® Stainless Steel Earth Rods	25
LPI® Coupling for Copper Bonded and Stainless Steel Threaded Earth Rods	25
LPI® Copper Tape	26
LPI® Rod to Tape Clamp Type A	26
Section T - LPI® Inspection Pits	27
Section U - LPI® Earthing Compounds	27
LPI® RESLO	27
LPI® SRIM PLUS	27
Section V - LPI® Chemical Ground Rod	28
Recommended Earthing Installation	29
ISO 9001 Certificate	29

TECHNICAL DATA SHEET

Installation Type 1

Installation type 1 illustrates a Stormaster system installed on a building roof top (flat roof).

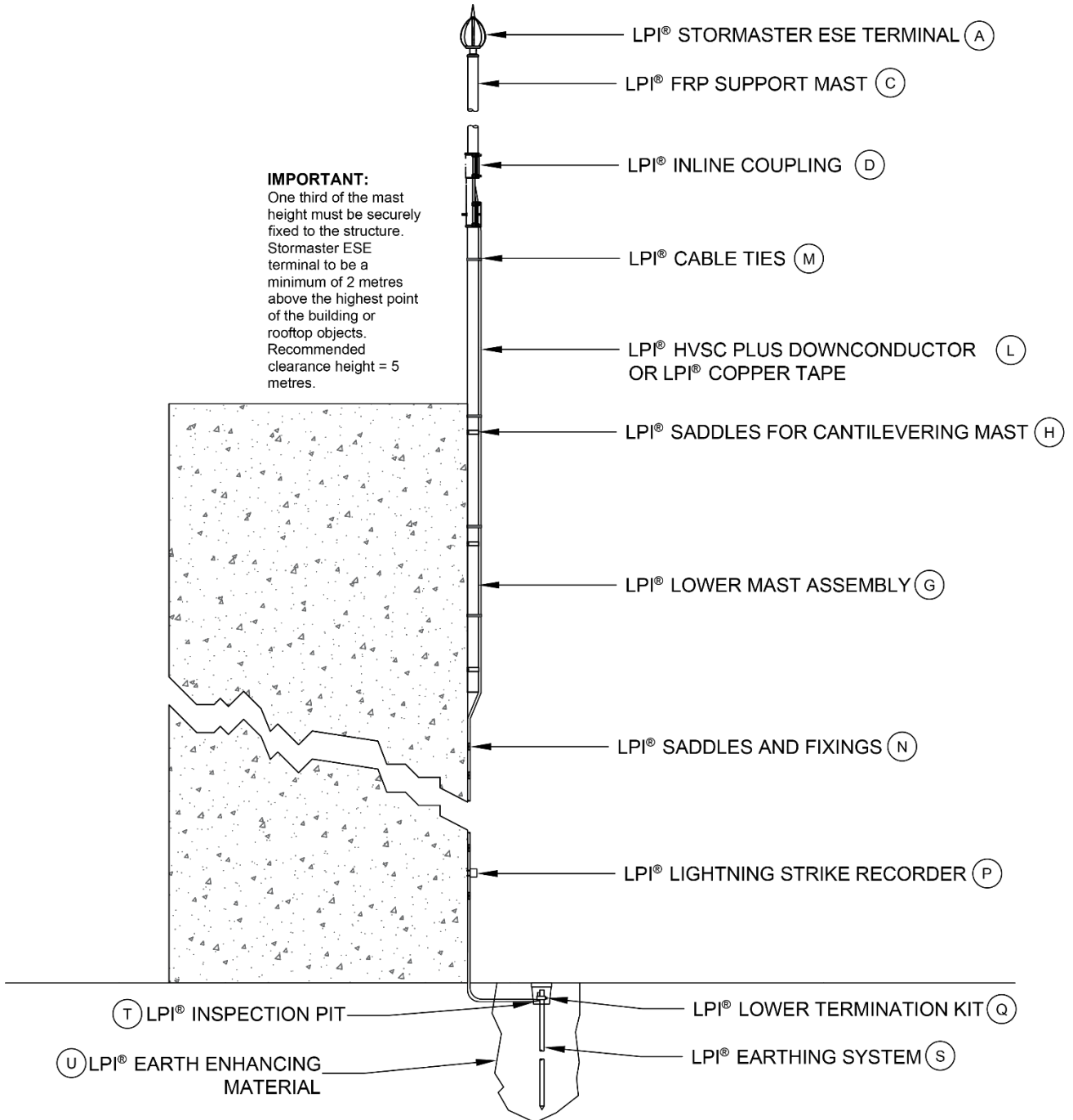


Please refer to page 29 for recommended earthing installation

TECHNICAL DATA SHEET

Installation Type 2

Installation type 2 illustrates a Stormaster system cantilevered to the side wall of a building.

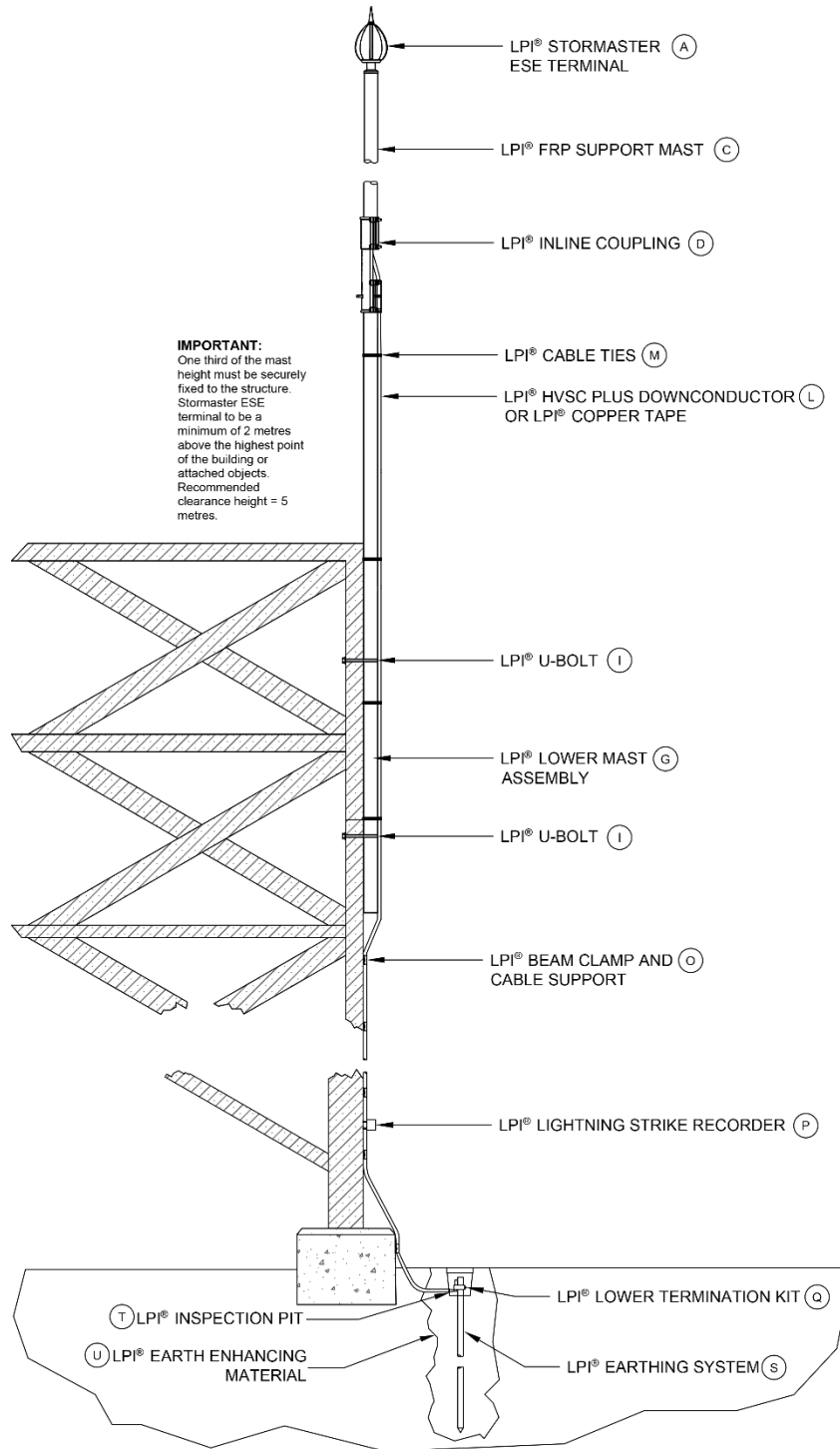


Please refer to page 29 for recommended earthing installation

TECHNICAL DATA SHEET

Installation Type 3

Installation type 3 illustrates a Stormaster system cantilevered to the top section of a tower.



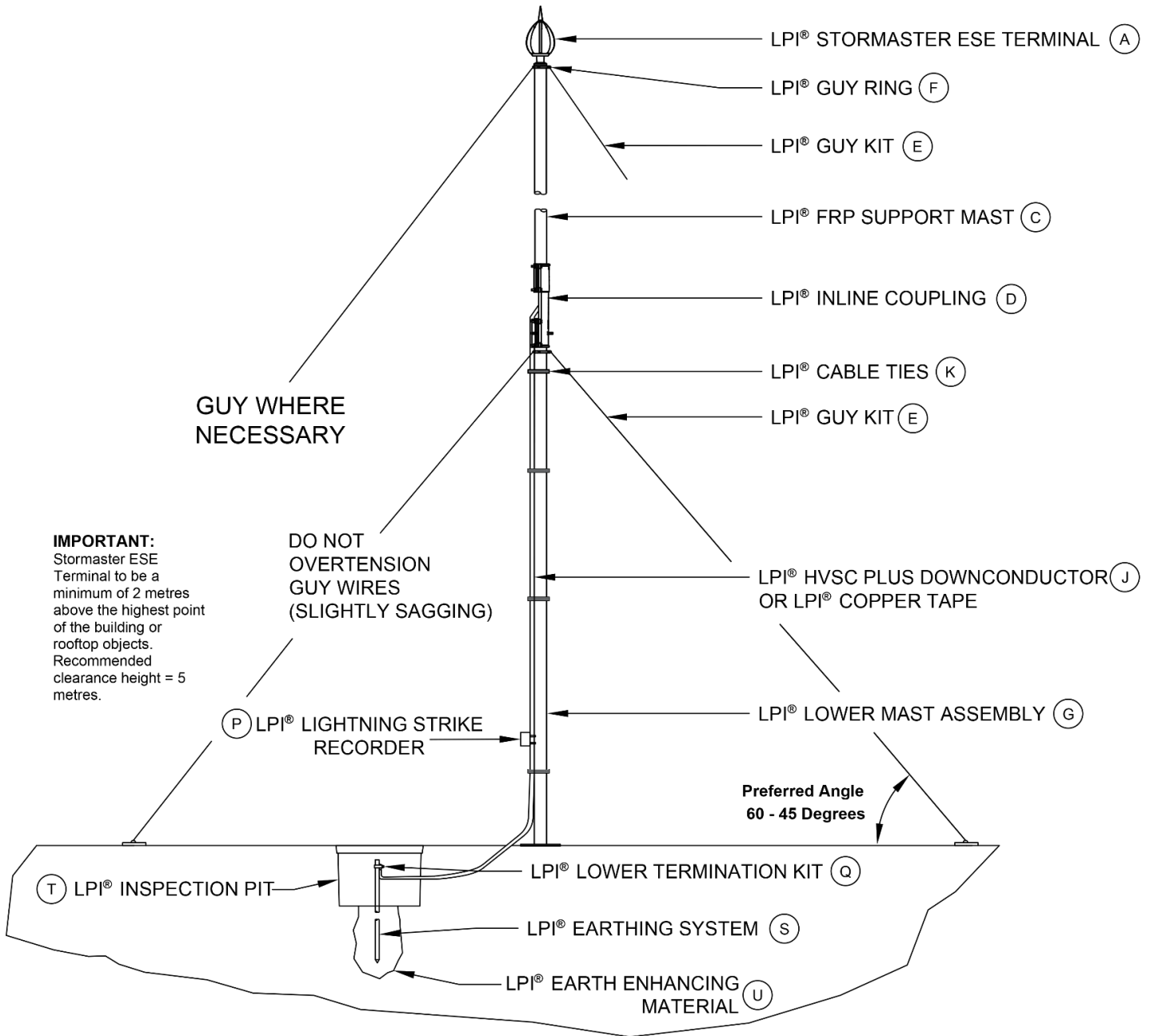
Please refer to page 29 for recommended earthing installation

TECHNICAL DATA SHEET

Installation Type 4

Installation type 4 illustrates a Stormaster system installed on a building roof top (flat roof) or at ground level.

Note: Multiple guying kits are utilized due to increased mast height.

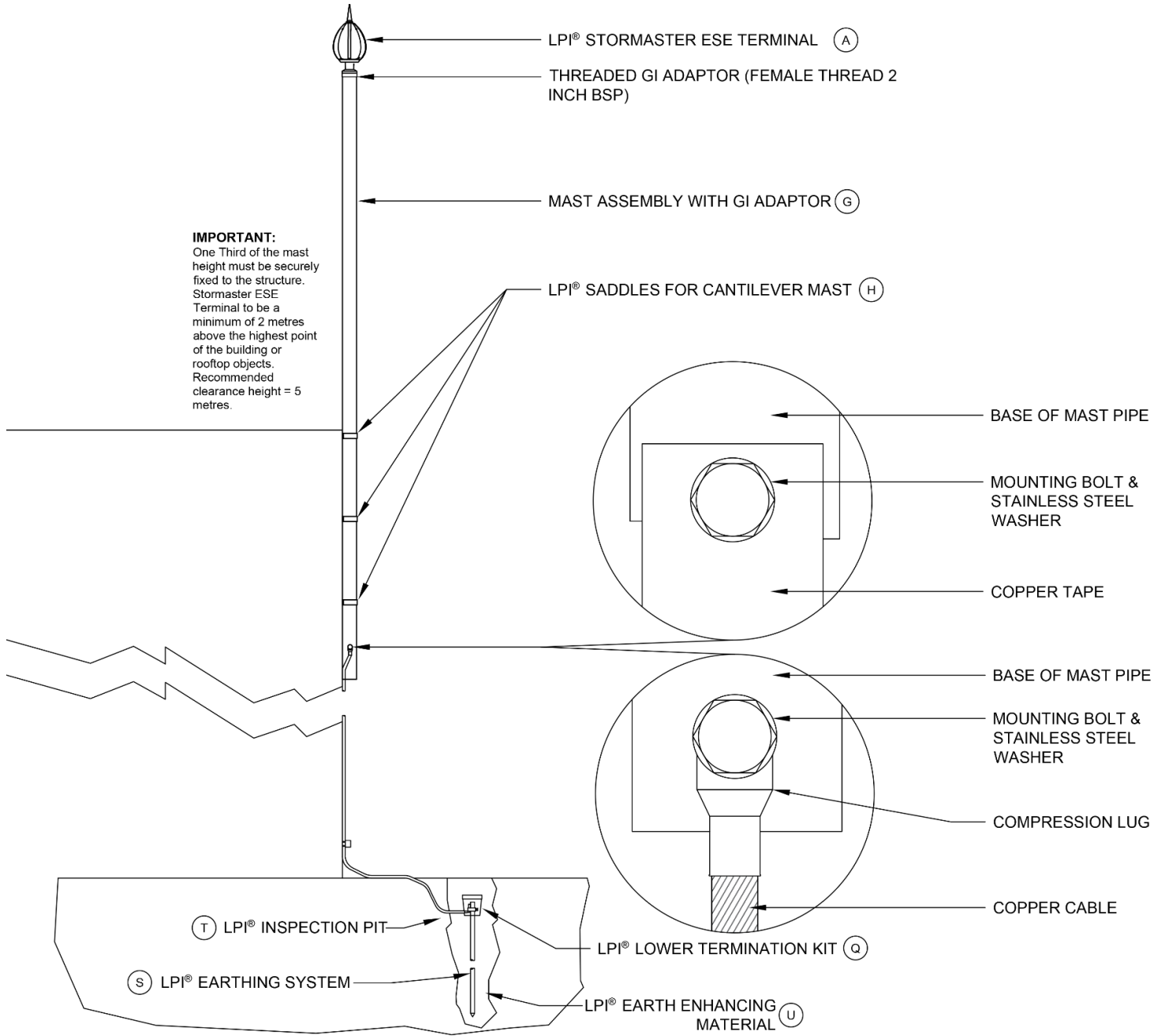


Please refer to page 29 for recommended earthing installation

TECHNICAL DATA SHEET

Installation Type 5

Installation type 5 illustrates typical mounting arrangement for cantilevered GI style Stormaster Terminal.

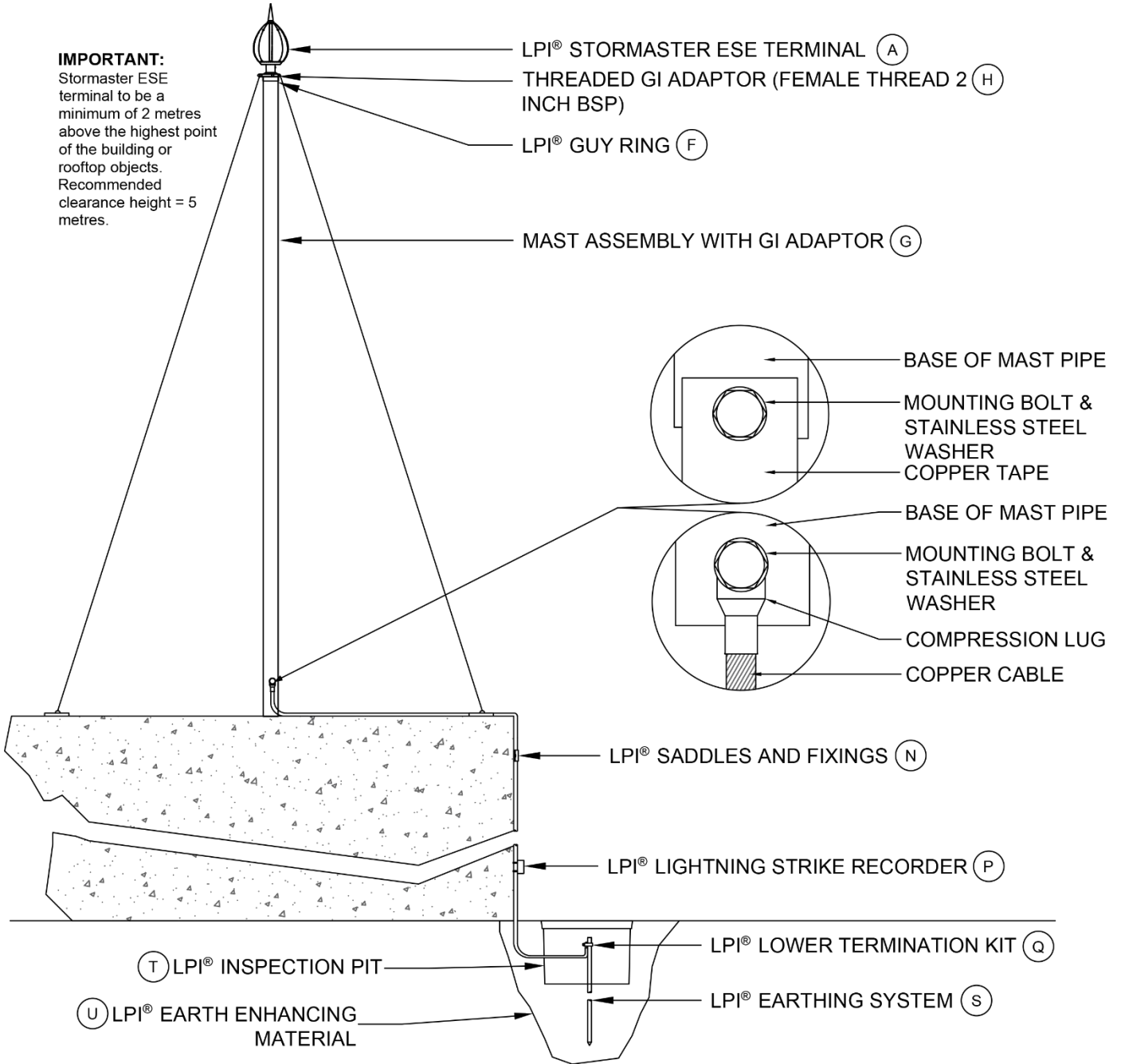


Please refer to page 29 for recommended earthing installation

TECHNICAL DATA SHEET

Installation Type 6

Installation type 6 illustrates typical mounting arrangement for guyed GI style Stormmaster Terminal.

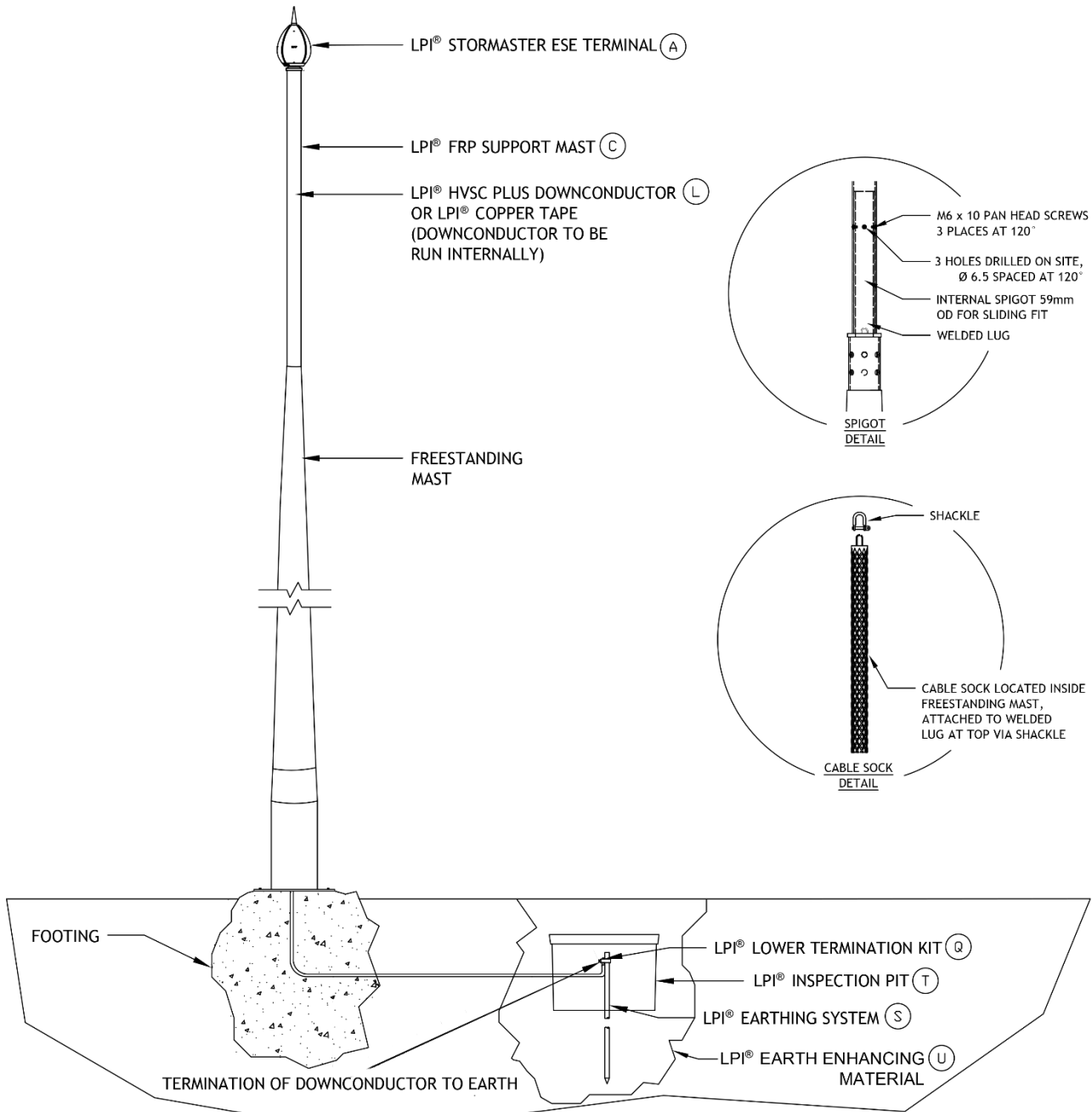


Please refer to page 29 for recommended earthing installation

TECHNICAL DATA SHEET

Installation Type 7

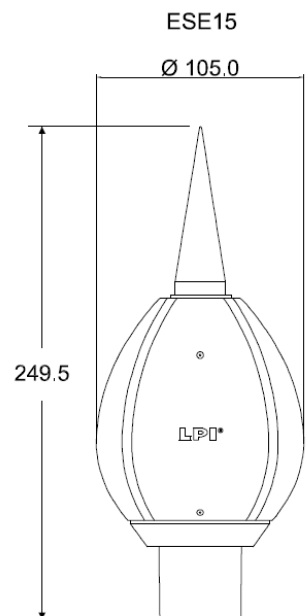
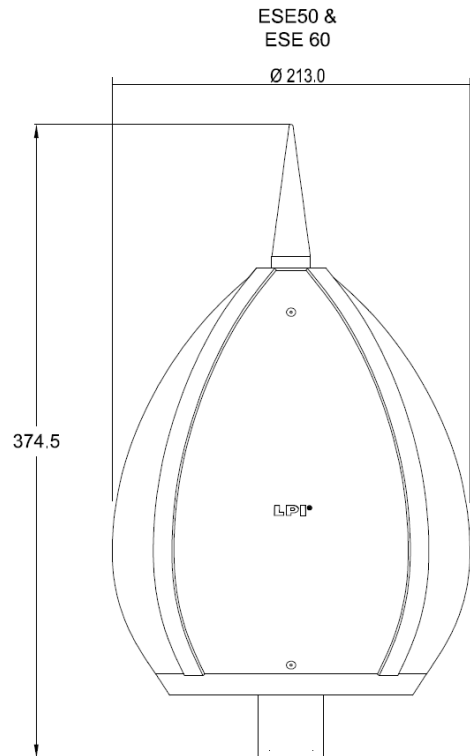
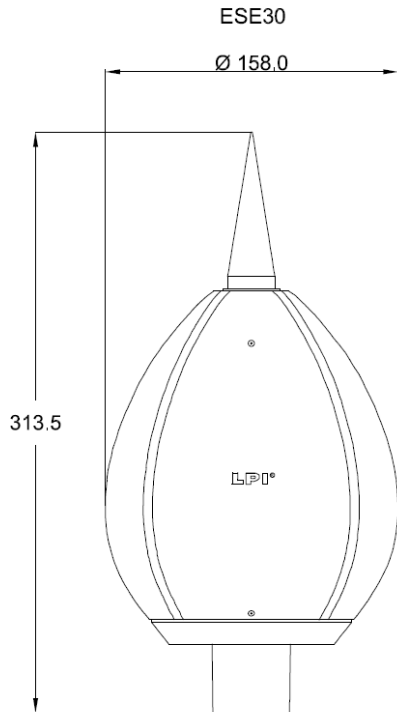
Installation type 7 illustrates typical spigot and cable sock arrangement for freestanding mast style Stormaster terminal



Please refer to page 29 for recommended earthing installation

TECHNICAL DATA SHEET

Section A - LPI® Stormmaster ESE Terminals



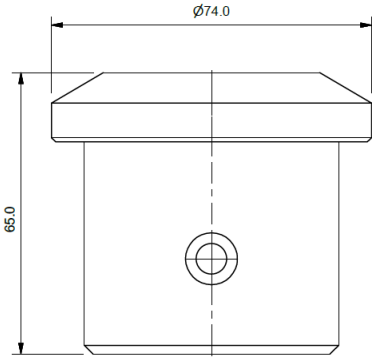
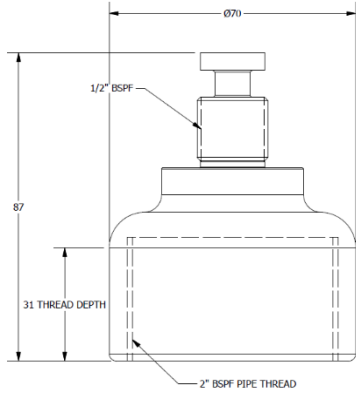
ORDERING CODE	MATERIAL	WEIGHT (KG)	COLOUR	INSULATION MATERIAL
STORMASTER-ESE-15-SS	Stainless steel 316	0.718	Silver	UV rated evoprene
STORMASTER-ESE-30-SS	Stainless steel 316	1.225	Silver	UV rated evoprene
STORMASTER-ESE-50-SS	Stainless steel 316	2.047	Silver	UV rated evoprene
STORMASTER-ESE-60-SS	Stainless steel 316	2.	Silver	UV rated evoprene

* For connection to 2" GI Pipe add "GI" to end of Ordering Code (See pages 8 & 12 for more detail)


All dimensions are given in mm UNO

TECHNICAL DATA SHEET

LPI® Stormaster ESE Terminals

Standard Adaptor	GI Adaptor
<ul style="list-style-type: none"> For use with FRP mast & HVSC Plus downconductor Lug Connection to HVSC Plus completed with upper termination Weight: 0.22 kg 	<ul style="list-style-type: none"> Threaded GI adaptor Female thread 2 inch BSP for connection to GI pipe Weight: 0.21 kg 

Stormaster ESE Tester

	<ul style="list-style-type: none"> Spark-over tester designed for testing the Stormaster range of terminals Portable tester Visual identification of terminal operation Rechargeable batteries
<p>Ordering Code</p>	<p>AIR TERMINAL TESTER</p>
<p>Description:</p>	<p>LPI® Stormaster terminal tester</p>
<p>Construction:</p>	<p>Plastic enclosure</p>
<p>Charger operating voltage:</p>	<p>100 – 240 V</p>
<p>Batteries:</p>	<p>4 x 1.2 V rechargeable NiCad batteries</p>
<p>Dimension:</p>	<p>115 x 90 x 55 mm</p>
<p>Weight:</p>	<p>0.437 kg</p>



TECHNICAL DATA SHEET

Section B - LPI® Upper Termination Kit

LPI® Upper termination kit is designed for use with the LPI HVSC Plus downconductor. The upper termination kit provides all accessories for the high voltage termination of the HVSC Plus downconductor to the Stormaster ESE terminal.



Ordering Code	UTERMKIT-MK3
Description:	Upper Termination Kit Mark 3
Maximum voltage:	>500 kV 1.2/50 µs impulse
Operating temperatures:	- 20°C to + 85°C
Pack dimensions:	70 x 70 x 1250 mm
Weight:	0.760 kg
Contents:	Instruction, Semi-conducting tape, crimp lug, heat shrink tube, insulated friction cutting tool, insulation tape

Section C - LPI® FRP Support Mast

LPI® Fibreglass Reinforced Plastic (FRP) mast is an insulated and water resistant mounting pole which is designed to provide the necessary electrical isolation and mounting strength at the position where the high voltage upper termination between the HVSC Plus downconductor and LPI Stormaster terminal is completed.



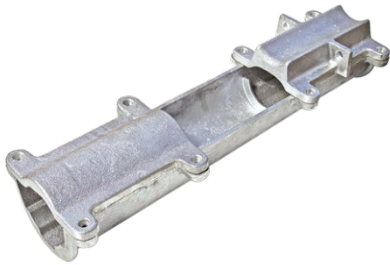
Description	Fibreglass Reinforced Pole (FRP)
Colour:	Black
Material :	Fibreglass
Construction type:	Pre-impregnated reinforced epoxy resin laminate (flame retardant)
Resin tensile strength:	70 MPa
Resin tensile modulus:	≈ 34 GPa
Resin tensile strain:	2.7%
Resin poisson ratio:	0.35

Ordering Code	Weight	Dimensions
FRP-2M	2.7 kg	Length 2000 mm, Outer diameter 68 mm, Inner diameter 60 mm
FRP-3M	4.3 kg	Length 3000 mm, Outer diameter 68 mm, Inner diameter 60 mm
FRP-4M	5.3 kg	Length 4000 mm, Outer diameter 68 mm, Inner diameter 60 mm

TECHNICAL DATA SHEET

Section D - LPI[®] Inline Coupling

LPI[®] Inline coupling is a purpose-designed coupling which enables clamping of the FRP mast to the aluminium lower mast. The inline coupling provides 3 guy anchoring points and provides an exit point for the HVSC Plus.



Ordering code	ILCOUPLING
Description:	Inline coupling
Material:	Cast aluminium
Dimension:	470 x 150 x 120 mm
Weight:	2.7 kg
Anchoring points:	3
Max. clamping torque:	55 kg cm

Section E - LPI[®] Guy Kit

LPI[®] non-conductive and stainless steel guy kits are provided in variable lengths to suit specific mast and terminal heights. The purpose designed guying kits are designed for anchoring from a guy ring or an inline coupling.



Ordering Code	GUYKIT-7M
Description:	Stainless steel fittings and non conductive synthetic guy wire kits
Material:	DYNEEMA [®] is an UHMWPE* fibre, non conductive, UV stabilised, moisture resistant, chemical inert
Application:	Designed to provide additional stabilizing/securing of mast arrangement where deemed necessary
Diameter:	4 mm
Tensile yield strength:	560 kg
Weight:	0.53 kg

*UHMWPE – Ultra-High Molecular Weight Polythene



Ordering Code	GUYKIT-4M-SS	GUYKIT-7M-SS
Description:	Stainless steel guy wire kits	
Material:	Stainless steel, grade 316	
Application:	Designed to provide additional stabilizing/securing of mast arrangement from the inline coupling only	
Diameter:	3.2 mm	
Tensile yield strength:	450 kg	
Weight:	0.8 kg	1.57 kg

Stainless steel guy kits are not to be used at top section of mast or with guy ring and should be anchored from the inline coupling.

TECHNICAL DATA SHEET

Section F - LPI® Guy Ring

LPI® guy ring provides 3 guy points for mounting between the top section of the FRP mast and the Stormaster ESE terminal.



Ordering Code	Guy Ring
Material:	Cast aluminium
Dimension:	110 x 110 x 10 mm
Weight:	0.12 kg
Guy hole diameter:	10 mm

Section G - LPI® Lower Mast Assembly

LPI® uses an aluminium mast as the lower mast assembly due to its high strength and light weight characteristics.



Description	Aluminium Mast
Colour:	Silver
Material:	Aluminium
Inside diameter:	51.2 mm
Outside diameter:	63.5 mm

Length	3 Metres	4 Metres	5 Metres	6 Metres
Weight:	9 kg, 10.5 kg (with base)	12 kg, 13.5 kg (with base)	15 kg, 16.5 kg (with base)	18 kg, 19.5 kg (with base)
No base:	ALUM-3M	ALUM-4M	ALUM-5M	ALUM-6M
With base:	ALUMB-3M	ALUMB-4M	ALUMB-5M	ALUMB-6M
With GI male adaptor no base:	ALUM3M-MGI	ALUM4M-MGI	ALUM5M-MGI	ALUM6M-MGI
With GI male adaptor with base	ALUMB3M-MGI	ALUMB4M-MGI	ALUMB5M-MGI	ALUMB6M-MGI

LPI® Stormaster GI terminals suitable for use with locally supplied 2" male threaded GI pipe.

TECHNICAL DATA SHEET

Section H - LPI[®] Cantilevering Saddles

Purpose designed stainless steel saddles for cantilevering the aluminium mast of 69.9 mm outer diameter to flat vertical surface.



Ordering Code	CANTSAD
Description:	63.5 mm saddles for mounting of aluminium mast (3 per set)
Material:	Stainless steel
Weight:	180 g per saddle, 540 g per set
Dimension:	130 mm (L) x 70 mm (W) x 1.2 mm (D)
Hole fixing diameter:	8 mm

Section I - LPI[®] U-Bolt

LPI[®] U-Bolt set is specifically designed to allow for the secure clamping of aluminium or FRP mast to tower section or handle rail.



Ordering Code	U-Bolt
Description:	U-Bolt, 2 per set
Material:	U-Bolt: stainless steel, Plate: aluminium
Weight:	0.75 kg per U-Bolt, 1.5 kg per set
Dimension:	80 mm diameter, 170 mm length

Section J - LPI[®] Mounting Bracket

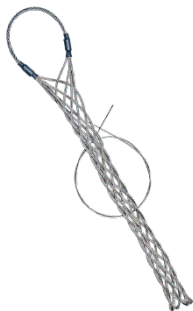
LPI[®] Offset brackets are designed for the offset cantilevering of aluminium support masts.



Ordering Code	Mounting Bracket
Description:	Offset bracket
Colour:	Silver
Material:	Stainless steel, 316
Nominal clamping OD:	70 mm
Weight:	1 kg

Section K - LPI[®] Cable Sock

LPI[®] Cable sock is designed for the mounting support of the HVSC Plus downconductor when installing a free standing mast arrangement.



Ordering Code	Cable Sock
Description:	Cable sock for HVSC Plus support
Material:	Two-ply galvanised steel wire strand
To grip cable diameter:	28-40 mm
Grip length:	600 mm
Max. pull approx, (kn):	24
Weight:	0.533 kg

TECHNICAL DATA SHEET

Section L – Downconductors

LPI® High Voltage Shielded Cable



Withstand Voltage of $\geq 500kV$

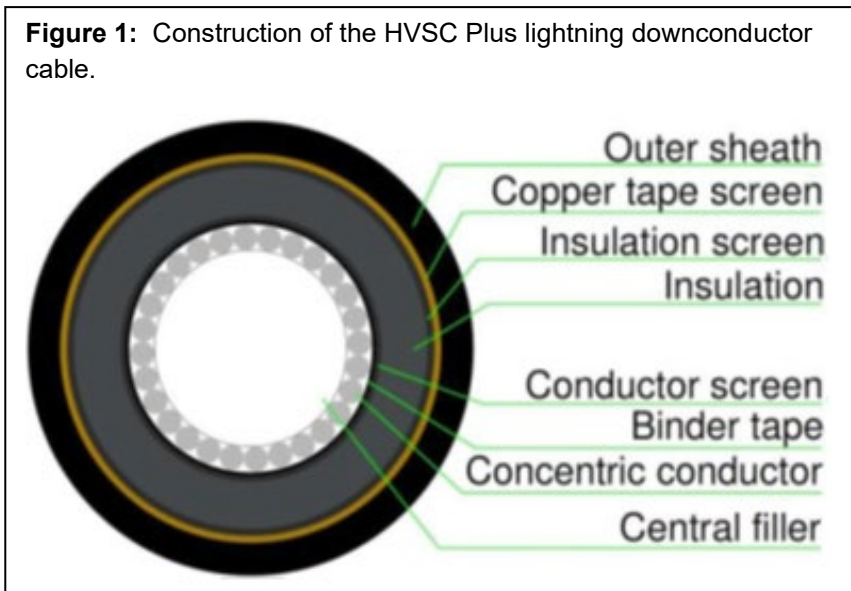
LPI’s “High Voltage Shielded Cable” (HVSC Plus) is a purpose-designed, high-integrity, low-impedance cable that is used to safely convey lightning currents to earth with minimal risk of side flashing or structure electrification. The design of the HVSC Plus incorporates carefully selected dielectric components to ensure optimum performance under the impulse or “transient” voltages and currents imposed by lightning discharges.

LPI’s new HVSC Plus provides improved features as a dedicated insulated lightning downconductor:

- Double the voltage withstand performance of past versions;
- 35% reduction in the mass per unit length of the cable;
- Improved manufacturing consistency via a continuous “triple extrusion” process;
- Reduced voltage stress via thin, semi-conductive screen layers; and
- Improved material parameters and performance.

The design of the cable is based on the optimisation of all of the key parameters associated with dealing with lightning discharges and the consequent voltage and current transients, including impedance, inductance, capacitance, insulation thickness (withstand voltage) and all of the relevant lightning statistics, plus practical aspects such as size, flexibility and mass.

Figure 1: Construction of the HVSC Plus lightning downconductor cable.



HVSC Plus has been tested by a certified, independent high voltage laboratory located at Monash University, Australia.

Product Ordering Code: HVSCPLUS-PM or HVSCPLUS-500

TECHNICAL DATA SHEET

Physical Specifications of HVSC Plus:

Mass per unit length	1.34 kg/m
Construction	Triple extruded
Concentric conductor material	Aluminium
Concentric conductor XSA	≥ 50 mm ²
Insulation	5 mm (nominal) of XLPE
Metallic screen	Copper tape
Outer sheath	3 mm (nominal) of PVC, UV Stabilised
Cable diameter	36 mm
Min. bending radius <i>before</i> installation	430 mm
Min. bending radius <i>after</i> installation	358 mm

Electrical Specifications of HVSC Plus:

Conductor DC resistance @ 20°C	0.641 Ω/km
Conductor DC resistance @ 90°C	0.821 Ω/km
Insulation resistance @ 20°C	5000 MΩ
Inductance	93 nH/m
Capacitance	285 pF/m
Impedance	18 Ω
Withstand voltage (1.2/50 μs impulse)	≥ 500 kV

TECHNICAL DATA SHEET

LPI® Aluminium Tape



Ordering Code	FL6T253A
Description:	Aluminium rape 25 x 3 mm (soft drawn)
Material:	Aluminium
Dimension:	25.00 mm (Width) x 3.00 mm (Thickness)
Weight:	0.2 kg per metre
Electrical conductivity:	>60% I.A.C.S
Package:	Supplied in pancake coil form (50 m per coil)

NFC 17-102 (2011)/EN 50164-2 has a requirement for copper and aluminium downconductors to have a minimal cross-sectional area of 50 mm².

LPI® Stranded and Smooth Weave Copper Conductors

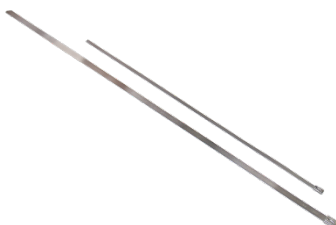
LPI® soft drawn stranded and Smooth Weave copper conductors are ideal for use as a conventional means of conveying lightning energy to ground. Manufactured in compliance with various standards, including BS6360, IEC 62561-2, IEC 62305, AS 1768 and UL96. Smooth Weave also available in Aluminium 50 mm² (BWAC50).



Ordering Code	SCC70	BWCC35
Description:	Stranded copper, 70 mm ²	Smooth Weave Copper, 35 mm ²
Material:	Copper	Bare or tinned copper
Strand diameter:	2.14 mm	1.15 mm
No. of strands:	19	34
Weight:	0.62 kg per metre	0.33 kg per metre

Section M - LPI® Cable Ties

LPI® Cable ties are designed for securing the HVSC Plus downconductor to structures and mast assembly.



Ordering Code	SS-CABTIES-L
Description:	Cable ties
Material:	Stainless steel
Length:	520 mm
Width:	7.9 mm
Weight	10 g

TECHNICAL DATA SHEET

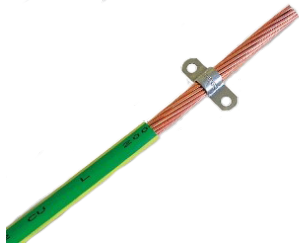
Section N - LPI® Saddles and Fixings

LPI® Saddles

LPI® SAD FIX are specially designed for securing of HVSC Plus downconductor to structures.



Ordering Code	SAD FIX
Description:	Saddles and fixings
Material:	Stainless steel, grade 304
Dimension:	90 mm Length, 1.2 mm thickness
Fixing hole diameter:	7 mm
Weight:	40 g



Ordering Code	SAD FIX-70
Description:	Saddles to suit 70 mm ² cable
Material:	Stainless steel, grade 316
Dimension:	44 mm Length, 1 mm thickness
Fixing hole diameter:	7 mm
Weight:	5 g

LPI® D.C Tape Clip

LPI® D.C Tape Clips are designed for the securing of Copper or Aluminium Tape to structures.



Ordering Code	
Description:	D.C tape clip to suit 25 mm x 3 mm tape
Material:	High strength aluminium alloy
Conductor size:	25 x 3 mm
Weight:	17 g

TECHNICAL DATA SHEET

LPI® Square Tape Clamp

LPI® Square tape clamps are designed to allow for the 2 and 4 way routing of copper and aluminium downconductors.



Ordering Code	FL4STC253A
Description:	Square tape clamp to suit 25 mm x 3 mm tape
Material:	High strength aluminium alloy
Conductor size:	25 x 3 mm
Weight:	78 g

LPI® Oblong Test Clamp

LPI® Oblong test clamp are designed to allow for the disconnection of copper and aluminium downconductors for testing purposes.



Ordering Code	FL4OTC253A
Description:	Oblong test clamp to suit 25 mm x 3 mm tape
Material:	High strength aluminium alloy
Conductor size:	25 x 3 mm
Weight:	118 g

Section O - LPI® Beam Clamp and Cable Support

LPI® Beam clamp and cable support are specifically designed for the securing of the HVSC Plus downconductor to tower legs.



Ordering Code	BCHVSC
Description:	Beam clamp and cable support
Material:	Stainless steel, polymer
Dimension:	60 x 60 x 50 mm
Fixing hole diameter:	38 mm
Weight:	180 g

TECHNICAL DATA SHEET

Section P - LPI[®] Lightning Strike Recorder

LPI[®] Lightning Strike Recorder (LSR2) is a lightning strike counter. The LSR2 is simply mounted at any location along the downconductor route. Its purpose is to record the number of strikes captured and conveyed by the downconductor.



Ordering Code	LSR2
Description:	Lightning strike recorder
Current sensitivity:	1500 A 8/20 μs impulse
Operating range:	Min. 1500 A and Max. 220 kA 8/20 μs
Display:	Mechanical 7 digits display (not re-settable).
Dimension:	100 mm (B) x 100 mm (H) x 55 mm (D)
Weight:	0.56 kg
Mounting:	Releasable UV resistant plastic cable ties suitable for up to ø40 mm cable or 50 x 5 mm flat tape
Construction:	Polycarbonate enclosure
Colour:	Light grey & blue
Environment:	IP 67 (IEC 529)
Operating temperature:	-15°C to 65°C

LPI[®] Lightning Strike Recorder Tester

LPI[®] Lightning strike recorder tester is a high-current injection device designed to trigger a reading on an LPI Lightning Strike Recorder (LSR2).



Ordering Code	LSR-TESTER
Description:	Lightning strike recorder tester
Impulse output:	2 kA peak simulated lightning impulse
Open circuit output:	55 Volts
Time between impulses:	20 seconds
Display:	Red "Testing" LED indicator
Dimensions:	190 mm (L) x 100 mm (W) x 35 mm (H)
Mounting:	Portable unit, no mounting required
Construction:	Polycarbonate Enclosure, IP 30 rating
Colour:	Light grey
Weight:	0.58 kg
Working temperature:	-15°C to 65°C
Batteries:	8 x AA 2000 mAh NiMH rechargeable Recharge time up to 16 hours

TECHNICAL DATA SHEET

Section Q - LPI® Lower Termination Kit

LPI® Lower termination kit provides accessories and tools for the termination of the HVSC Plus lower end to the dedicated lightning earth.



Ordering Code	LTERMKIT-MK3
Description:	Lower termination kit
Pack Dimensions:	270 mm (B) x 100 mm (H) x 40 mm (D)
Weight:	515 g
Contents:	1 x 95 mm crimp lug 1 x waterproofing tape 1 x earth rod clamp 2 x warning labels 1 x insulation friction cutting tool

Suitable for use with conventional downconductors as required.

Section R - LPI® Denso Tape

Denso Tape is used to waterproof earthing installations and prevent corrosion.



Ordering Code	DENSO-50mm
Description:	Waterproofing tape
Material:	Synthetic fabric, impregnated and coated with a neutral petrolatum compound
Pack:	50 mm x 10 m
Weight:	800 g

TECHNICAL DATA SHEET

Section S - LPI® Earthing System LPI® Copper Bonded Earth Rods

LPI® Copper-bonded earth rods are made from high-tensile low-carbon steel and each rod is manufactured by molecularly bonding 99.9% pure electrolytic copper to the low-carbon steel core in accordance with national and international standards such as BS6651, BS7430 and UL467. Threads are rolled onto the rod, ensuring an even copper covering which eliminates the risk of chipping whilst driving.



Other sized rods available.

Ordering Code	CBER1214
Description:	Threaded copper bonded earth rod
Material:	Carbon steel bonded with copper
Length:	1.2 m
Rod diameter (actual):	14.3 mm
Threaded diameter:	5/8" UNC
Weight:	1.54 kg

LPI® Stainless Steel Earth Rods

LPI® Solid stainless steel earth rods are manufactured using 316 grade stainless steel and are highly resistant to corrosion. Stainless steel rods are best used for earthing installations where the problem of galvanic corrosion may take place between dissimilar metals buried in close proximity to each other and where highly corrosive soil conditions exist. All solid stainless steel earth rods manufactured by LPI are supplied with external threads.



Other sized rods available.

Ordering Code	SSER1215
Description:	Threaded stainless steel earth rod
Material:	316 grade stainless steel
Length:	1.2 m
Rod Diameter (Actual):	15.8 mm
Threaded Diameter:	5/8" UNC
Weight:	1.90 kg

LPI® Coupling for Copper Bonded and Stainless Steel Threaded Earth Rods

Whether connecting rod-to-rod or driving stud-to-rod the high strength copper alloy coupling is counter-bored to protect the earth threads from damage and subsequent corrosion.



Ordering Code	LEH-58R	LEH-58-SS
Description:	Coupling for threaded Copper bonded earth rod 5/8"	Coupling for threaded Stainless steel earth rod 5/8"
Material:	High strength copper alloy	316 stainless steel
Thread type:	5/8" UNC	
Weight:	106 g	113 g

TECHNICAL DATA SHEET

LPI® Copper Tape

LPI® 25 x 3 mm soft drawn copper tape is manufactured using the latest European developed extrusion technologies. LPI® FL6T253C is a high-quality tape which provides our customers with a guaranteed copper purity of 99.95%. Flat copper tape in comparison to stranded copper cable is considered as the most efficient conductor for the transfer of lightning energy to the ground mass. Flat tape provides greater surface contact with the surrounding soil which assists greatly in the dissipation of the lightning energy.



Ordering Code	FL6T253C
Description:	Copper tape 25 x 3 mm (soft drawn)
Material:	99.95% Copper
Dimension:	25.00 mm (Width) x 3.00 mm (Thickness)
Weight:	0.67 kg per metre
Electrical conductivity:	Minimum 100% I.A.C.S
Standard:	BS1432
Tensile strength:	210 - 250 N/mm ²
Package:	Supplied in pancake coil form (50 m per coil)

LPI® Rod to Tape Clamp Type A

LPI® Rod to tape clamp provides a conductive and mechanically secure connection when installing a lightning protection earth encompassing flat copper tape and copper bonded earth rods.



Ordering Code	RTC253
Description:	Rod to tape clamp to suit 14-17 mm Dia rod & 25 x 3 mm tape
Material:	High strength copper alloy
Rod Diameter:	14-17 mm
Conductor size:	25 x 3 mm
Weight:	120 g

TECHNICAL DATA SHEET

Section T - LPI[®] Inspection Pits

LPI[®] Inspection pits provide a secure and user-friendly access point for maintenance purposes and the periodical measurement of electrical resistance of a buried earthing system. In order to complete routine measurements of electrical resistance, simply remove the lid from the installed earth pit and connect a lead from the resistance meter to the earthing conductor.



Ordering Code	EPIT-P
Description:	Polymer earth pit
Material:	Polymer
Dimension:	250 mm (top) x 180 mm (base) x 210 mm (deep)
Weight:	1.9 kg
Strength:	Withstand up to 5 tonnes

Section U - LPI[®] Earthing Compounds
LPI[®] RESLO

LPI[®] RESLO-20 is a low-resistance, non-corrosive, bentonite-based earth enhancing compound which is supplied in easy-to-handle 20 kg bags.



Ordering Code	RESLO-20
Description:	Bentonite-based earth enhancing compound – 20 kg Bag
Application:	To assist in achieving an earth resistance of less than 10 Ohms
Weight:	20 kg
Standard:	AS 2239. most of IEC 62561-7, EPA 1311

LPI[®] SRIM PLUS

LPI[®] SRIMPLUS-20 is a highly conductive, cementitious earth enhancing compound which is supplied in 20 kg bags. Designed for use in all soil conditions, SRIM PLUS offers an economical solution to improve and maintain the integrity of any earthing system.

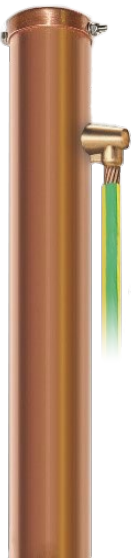


Ordering Code	SRIMPLUS-20
Description:	Highly conductive, cementitious earth enhancing compound – 20 kg Bag
Application:	To lower earth electrode system resistance and impedance
Weight:	20 kg
Standard:	IEC 62561-7, EPA 1311

TECHNICAL DATA SHEET

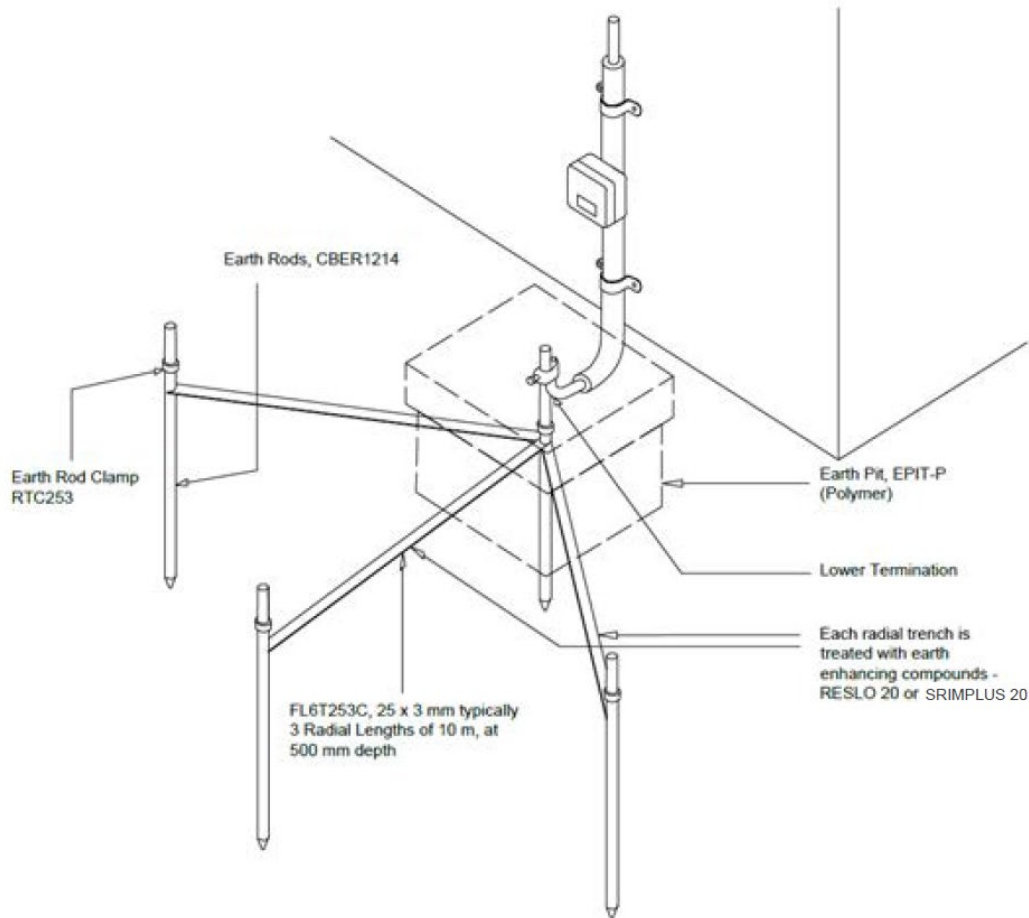
Section V - LPI® Chemical Ground Rod

LPI® Chemical ground rod provides a low-impedance earth to effectively dissipate lightning and electrical fault currents. The chemical ground rod is ideal in situations where space is restricted and normal lightning earths such as radial and grid-type systems cannot be installed.



Ordering Code	CHEMROD-2M	CHEMROD-3M
Length:	2 m	3 m
Diameter:	63.5 mm	
Copper composition:	99.9% minimum	
Standard:	Australian Standard AS1432	
Melting point:	1083°C	
Specific heat capacity:	0.385 kJ (kg.K)	
Electrical conductivity (Annealed):	75-90% I.A.C.S.	
Wall thickness:	1.6 mm	
Copper:	Hard-drawn	
Cap:	Removable type with air breather holes	
Drainage holes:	4.5 mm diameter, provided every 40 cm for the length of the rod	
Mineral salts:	Pre-filled from factory with non-hazardous natural electrolytic salts	
Pigtail:	70 mm stranded copper cable, pre-welded from factory to allow for connection to earthing system	
Weight:	12 kg (CHEMROD) 40 kg (RESLO)	21 kg (CHEMROD) 60 kg (RESLO)

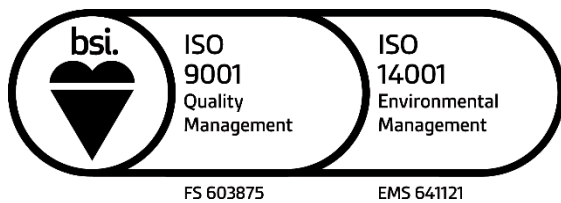
TECHNICAL DATA SHEET



Recommended Earthing Installation

ISO 9001 Certificate

Lightning Protection International Pty Ltd operates a certified management system that complies with the requirements of AS/NZS ISO9001:2015 and ISO 14001: 2015. Certificate can be provided on request.



Head Office | 49 Patriarch Drive, Huntingfield Tasmania, Australia 7055
 Postal | PO Box 379 Kingston, Tasmania, Australia 7051
 Web | www.lpi.com.au

Phone | + 61 3 6281 2475
 Facsimile | + 61 3 6229 1900
 Email | info@lpi.com.au